



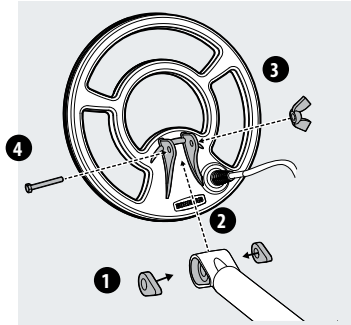
Getting Started Guide

X-TERRA 305

Assembly | Follow the steps to put together your X-TERRA 305

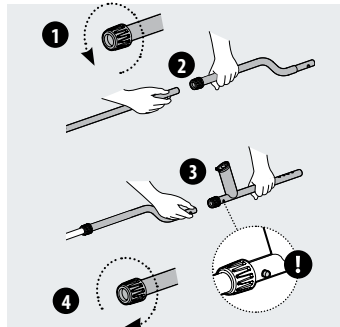
1. Attach coil to lower shaft

1. Insert the two rubber washers into the holes on either side of the yoke.
2. Slide the yoke into the yoke bracket on top of the coil.
- ⓘ Ensure that the spring loaded pin in the lower shaft is underneath.
3. Insert the plastic bolt through the yoke and the yoke bracket.
4. Fasten with the plastic bolt - Do not overtighten.



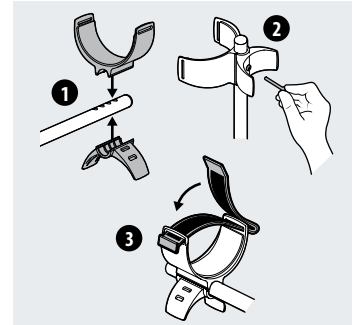
2. Assemble shafts

1. Loosen the twistlocks by rotating them counter-clockwise.
2. Press the spring loaded pin in the lower shaft and slide it into the middle shaft until the pin reaches the adjustment holes. The pin will click into place.
3. Attach the middle shaft to the upper shaft in the same way.
4. Lock the position of the shafts by rotating twistlocks clockwise.



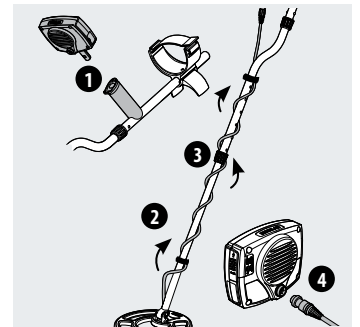
3. Attach armrest/stand

1. Place the armrest onto the top of the upper shaft. Position the armrest just below your elbow, then line up the boss in the armrest with the nearest hole in the shaft.
2. Insert the screw through the stand, upper shaft and armrest. Tighten the screw carefully.
3. With the velcro side facing upwards, thread the armrest strap through both slots in the armrest. Ensure the end of the strap will be fastened outwards from your arm.



4. Connect control box & coil

1. Push the control box onto the end of the handle until it fits into place.
2. Wrap the coil cable around the lower and middle shaft enough times to take up the slack.
3. Use the velcro tabs provided to secure the coil cable against the shaft.
4. Align the coil connector and plug into the socket in the back of the control box, lightly tightening the retaining ring.



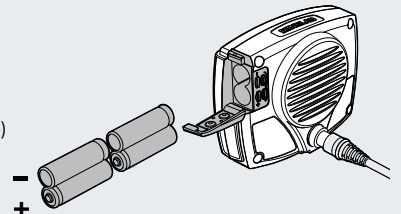
Audio

X-TERRA 305 detectors have an external loudspeaker for detecting without headphones. A range of other audio options are available. Please refer to the full instruction manual for further information.

Battery

The X-TERRA uses 4 x AA batteries which are not included with the detector.

1. Access the battery compartment via the battery door located on the side of the control box. Slide the battery compartment door upwards with your thumb.
2. Place individual batteries into the compartment as illustrated, ensuring the positive (+) and negative (-) contacts match the diagram on the control box.
3. Close the battery door by pushing and sliding it downwards.



Minelab®, X-TERRA™ are trademarks of Minelab Electronics Pty. Ltd. Images and graphics are for illustration purposes only; product configuration and specifications may vary from those shown. Please refer to the product manual for detailed operational guidance.

Australia & Asia Pacific: +61 8 8238 0888, minelab@minelab.com.au
 Europe & Russia: +353 21 423 2352, minelab@minelab.ie
 Middle East & Africa: +971 4 254 9995, minelab@minelab.ae
 North, South & Central America: +1 630 401 8150, minelab@minelab.com

Minelab Electronics Pty. Ltd.
 PO Box 35, Salisbury South
 South Australia 5106

WARRANTY TERMS

Please refer to www.minelab.com/warranty-conditions for full warranty terms and conditions. Register your product warranty online at register.minelab.com

COMPLIANCE

Information to the User (FCC Part 15, 105)

THIS DEVICE COMPLIES WITH PART 15 OF THE FCC RULES. Operation is subject to the following two conditions: (1) this device may not cause harmful interference, and (2) this device must accept any interference received, including interference that may cause undesired operation.

NOTE: Class B Devices

This equipment has been tested and found to comply with the limits for a Class B digital device, pursuant to part 15 of the FCC Rules. These limits are designed to provide reasonable protection against harmful interference in a residential installation.

This equipment generates, uses and can radiate radio frequency energy and, if not installed and used in accordance with the instructions, may cause harmful interference to radio communications. However, there is no guarantee that interference will not occur in a particular installation. If this equipment does cause harmful interference to radio or television reception, which can be determined by turning the equipment off and on, the user is encouraged to try to correct the interference by one or more of the following measures:

- Reorient or relocate the receiving antenna
- Increase the separation between the equipment and receiver
- Connect the equipment into an outlet on a circuit different from that to which the receiver is connected
- Consult the dealer or an experienced radio/TV technician for help

Warning: Any changes or modifications not expressly approved by Minelab Electronics could void the user's authority to operate this equipment.

For complete product specification and operational guidance, read the full length user manual at www.minelab.com.

Specifications	
Discrimination Patterns	1, 2 & All Metal
Discrimination Scale	12
Operating Frequencies (kHz)	Change coil to change frequency 7.5 & 18.75
Audio	Speaker and Headphone Output
Battery	4 x AA
Standard Coil	9" Concentric 7.5 kHz (Waterproof)

Quick Start | 6 easy steps to get started.

1. Turn on

Press the Power button on top of the user interface.



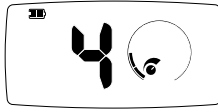
2. Discrimination

Choose a Discrimination Pattern. See details below.



3. Sensitivity

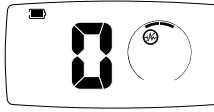
Press Menu to scroll to Sensitivity icon. Use Plus or Minus to adjust sensitivity.



Sensitivity range = 1-10
Factory Preset = 6

4. Noise Cancel

Press Menu to scroll to Noise Cancel icon. Use Plus or Minus to select channels.



Noise Cancel = -1, 0, 1
Factory Preset = 0

5. Ground Balance

Press Ground Balance (GB) button. Move the coil up & down on a clear area of ground without any targets. Adjust the GB using Plus or Minus.



Ground Balance range = 0-20
Factory Preset = 6

6. Begin detecting

Press Pinpoint/Detect to start detecting.



Discrimination Patterns | 1, 2 & AM



Pattern 1

Accepts signals from nonferrous targets, e.g. gold and silver coins.
Rejects ferrous objects and nonferrous aluminium foil.

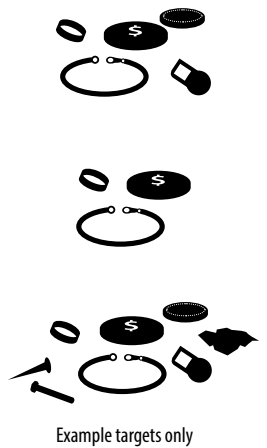
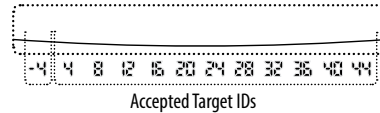
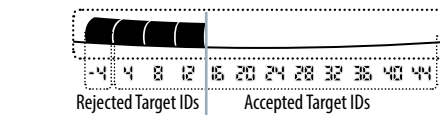
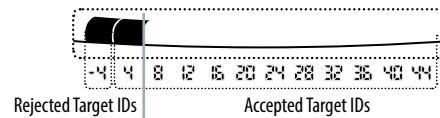
Pattern 2

Accepts signals from most nonferrous targets
Rejects ferrous objects and some nonferrous targets, e.g. aluminium foil and pull tabs.

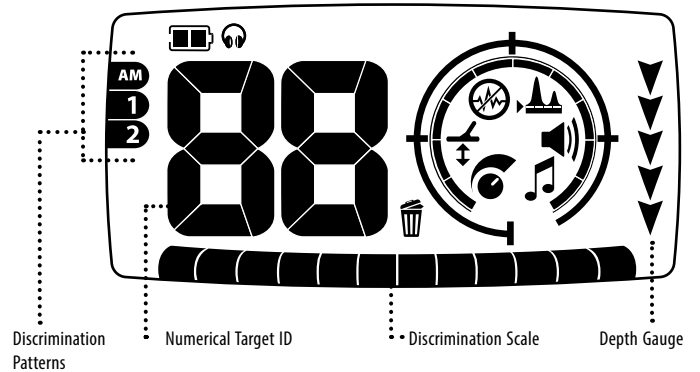


All Metal

Accepts signals from all types of metals, everything from jewellery to rusty nails (all Target IDs).
No target signals are rejected.



User Interface | Adjust and view your detector settings.



- Power** Turns the detector On/Off.
- Patterns** Scrolls through the different Discrimination Patterns.
- All Metal** Toggles between the selected discrimination pattern and the All Metal pattern.
- Accept/Reject** Accepts or rejects discrimination segments.
- Ground Balance** Accesses the Ground Balance Menu.

- Minus** Adjusts settings, and scrolls to the left through the discrimination segments.
- Menu** Enters the Menu. Accesses and scrolls through the detecting settings.
- Plus** Adjusts settings, and scrolls to the right through the discrimination segments.
- Pinpoint/Detect** Pinpoint assists in locating the exact position of a target prior to recovery. Detect exits menu settings and returns to detection.

- Battery** Indicates remaining power.
- Headphones** Indicates headphones are connected.
- Reject Identification** Appears when you reject a discrimination segment.
- Sensitivity** Indicates that you are in the Sensitivity menu.
- Ground Balance** Indicates that you are in the Ground Balance menu.
- Noise Cancel** Indicates that you are in the Noise Cancel menu.
- Threshold** Indicates that you are in the Threshold menu.
- Volume** Indicates that you are in the Volume menu.
- Tones** Indicates that you are in the Tones menu.